



A compact and energy-efficient alternative to auxiliary switches, offering space-saving installation and reduced power consumption.

C IR Indication

 etigroup
www.etigroup.eu

ETI
SWITCH TO
A SAFE FUTURE

C IR Indication

Remote Monitoring Device

Real-time indication of the fuse status without physical inspection, allowing for immediate response to electrical faults.

Efficient and Universal

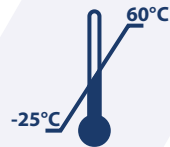
A compact and energy-efficient alternative to auxiliary switches, offering space-saving installation and reduced power consumption while offering precise and even more reliable fuse status monitoring.

The only available solution for remote indication in CH 8x32, CH 10x38 and CH 10x85 fuse sizes on the market.



Reliable Performance

Designed with robust features like reverse polarity and ESD protection, ensuring dependable operation in challenging environments

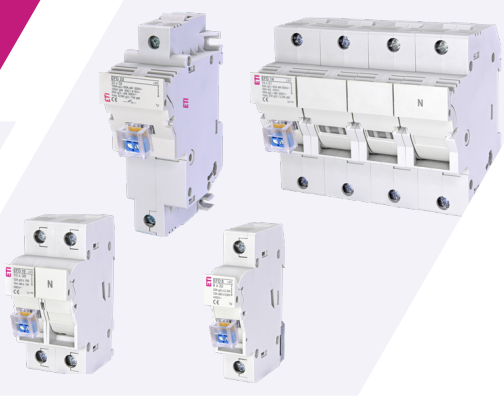


Suitable for diverse industrial environments with a wide temperature range of -25 to +60°C.

Utilizes NPN transistor output for accurate signal processing and reliable indication of fuse status



Low power consumption with a maximum operating voltage of 24 V DC and continuous current of 75 mA



Easy Integration

- Works seamlessly with all ETI cylindrical LED-type fuse disconnectors and holders with transparent indication window, ensuring wide applicability
- Add-on module is easy to install later on to the existing installation

Connectivity Redefined

- Direct internet connectivity and integration with the ETI Sky application or any other custom monitoring systems

- Visualization and monitoring through relay outputs.

- Signaling the status of operated fuse-links within any device or system (as part of the hardware) using a pulsing digital signal.





- Flexible Installation Options: Support for parallel connection of up to 15 units to a single digital input or individual connections for targeted monitoring

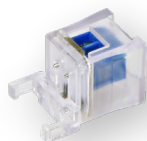
General Characteristics

Max. Operating Voltage	24 V d.c.
Continuous Current	75 mA
Power Dissipation	150 mW
Output type	NPN transistor
Pulsed output	ON >50us
Tightening Torque	0,2 Nm
Wire Strip Length	5 up to 6 mm
Screw	M2
Solid/Stranded Wire Section	0,2 to 1 mm ²
Operating temperature	-25 to +60°C
Reverse polarity and ESD protection	By diode
Max. ambient light	4000 lux
Max. parallel connected IR receivers	15
Compatible with	EFD 8 LED, EFH 8 LED, EFD 10 LED, EFH 10 LED, EFD CC LED, EFD 14 LED, EFH 14 LED, EFD 22 LED, EFH 22 LED, EFD J30 LED, EFH 10/14 LED, EFH 10/14 T LED, PCF 8 LED, PCF 10 LED, PCF CC LED

C IR Indication

Type (connection type)	Code No.	 g	
C IR 75mA/24V (screw terminal)	002585001	2,5	10/900
C IR 75mA/24V CON (connector terminal*)	002585006		

*Compatible with connector 714-102.

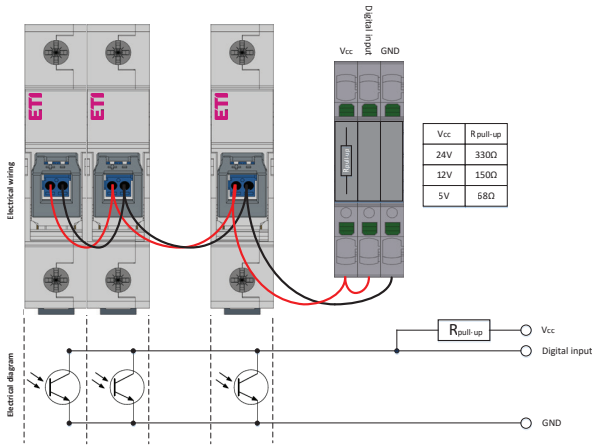


C IR 75mA/24V

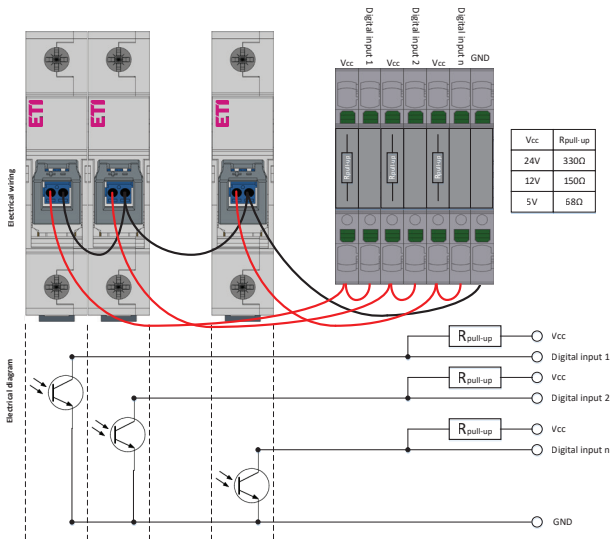


C IR 75mA/24V CON

Wiring diagrams



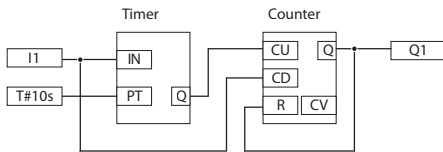
- Parallel connection up to 15 C IR indications to one digital input.
- Signalization of operated fuse-links in the system.



- Connection of each C IR indication separately to more than one digital input.
- Signalization of operated fuse-link in each electric circuit.

Manual for developers

1. Read the number of pulses on digital input for a time duration of 10s.
2. If the number of pulses is between 1 and 1000, then one of the fuse-links is operated.
3. The length of each pulse can not be longer than 750us. Pulse longer than 750us is visible light noise.



! Program to read digital input in a 10-second time slot
 ! If the number of pulses is between 1 and 1000, set an output

! Define inputs and outputs
 ! Change I1 and Q1 to your actual input and output addresses
 ! Ensure you have the correct addresses based on your hardware configuration

! Digital Input
 I1 := I 1.0

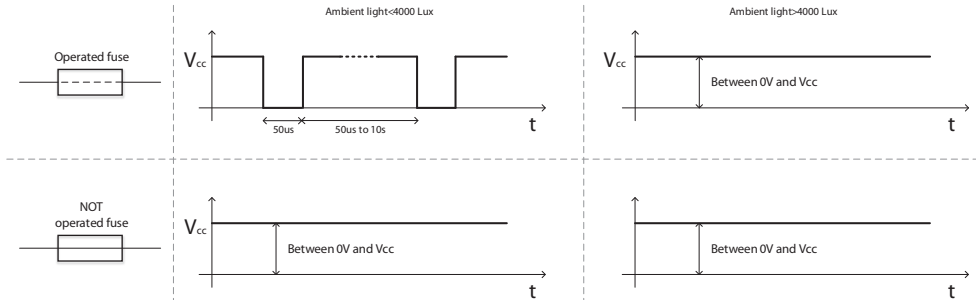
! Output
 Q1 := Q 1.0

! Timer for 10 seconds
 T10s (
 IN: = I1, ! Start the timer when the input is ON
 PT: = T#10S ! Set the timer preset to 10 seconds
)

! Counter
 C1 (
 CU: = T10s.Q, ! Count up when the timer is done
 CD: = I1, ! Count down on each input pulse
 R: = Q1, ! Reset the counter when the output is ON
 CV: = CV + 1 ! Increment the counter value
)

! Output coil
 Q1 := C1.CV >= 1 AND C1.CV <= 1000 ! Set the output if the counter value is between 1 and 1000

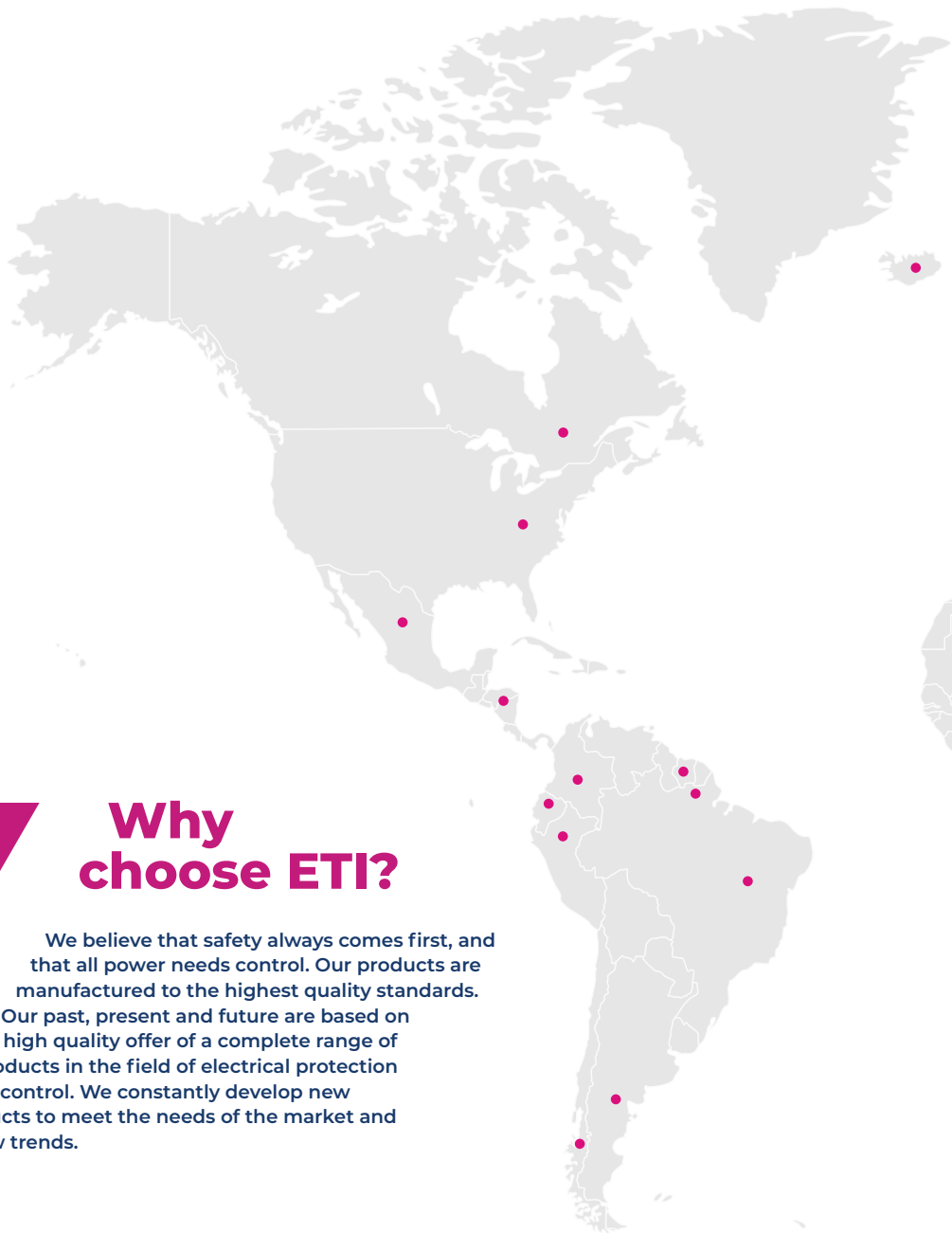
Output signal



ETI is a European brand that guarantees the quality and reliability of its products in accordance with the highest European standards for electrical product manufacturers, business systems, suppliers, dealers, workers and everyone who cares about electricity.

ETI actively co-creates global trends and develops sustainable electrical solutions that will help maintain our environment for generations to come.

Discover the broad range of ETI products at
www.etigroup.eu



Why choose ETI?

We believe that safety always comes first, and that all power needs control. Our products are manufactured to the highest quality standards.

Our past, present and future are based on a high quality offer of a complete range of products in the field of electrical protection and control. We constantly develop new products to meet the needs of the market and set new trends.



 etigroup
www.etigroup.eu

ETI Elektroelement d.o.o.
Obrezija 5
1411 Izlake
Slovenia, EU


SWITCH TO
A SAFE FUTURE