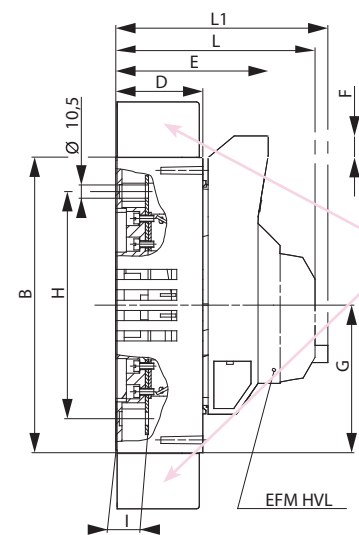
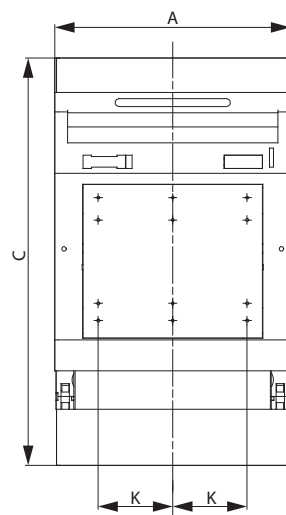
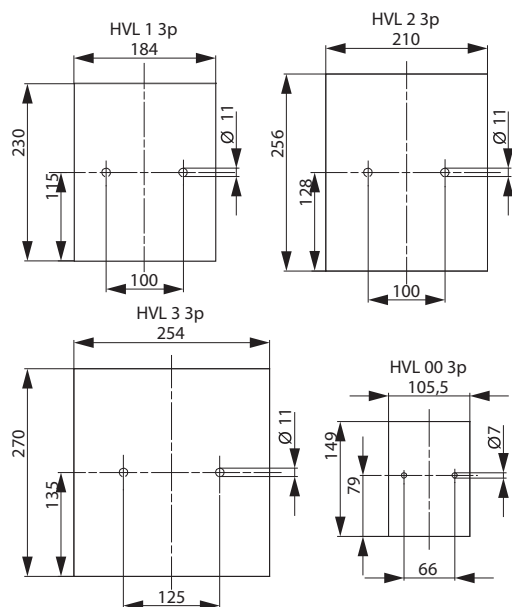


## Horizontal fuse-switch disconnecter type HVL size 00, 1, 2, 3 and 4a

Technical data (in accordance with IEC/EN 60947-3)										
Technical Specifications			Size 00				Size 1			
<b>Technical Characteristics</b>										
Rated operational voltage	$U_e$	V	500 AC	690 AC	220 DC	440 DC	500 AC	690 AC	220 DC	440 DC
Rated operational current	$I_e$	A	160	100	160	100	250	200	250	200
Rated frequency	-	Hz	40-60	40-60	-	-	40-60	40-60	-	-
Rated insulation voltage	$U_i$	V	800 AC				800 AC			
Total power loss (without fuse)	$P_v$	W	7				13			
Utilisation category	-	-	AC22B	AC22B	DC22B	DC21B	AC22B	AC22B	DC22B	DC21B
<b>Fuse links</b>										
Size - DIN 43 620, IEC 6269-2	-	-	000/00				1			
Max. rated current (gG)	$I_n$	A	160	100	160	100	250	200	250	200
Max. permissible power lose per fuse link	$P_v$	W	12				23			
Screw	-	-	M8				M10			
Torque	$M_a$	Nm	12-15				30-35			
Clamp	-	mm <sup>2</sup>	1,5-70				25-150			
Torque	$M_a$	Nm	2,6				9,5			
<b>Protection</b>										
Front cover close	-	-	IP20				IP20			
Front cover open	-	-	IP10				IP10			
<b>Operating condition</b>										
Ambient temperature	$T_u$	°C	-25 ... +55				-25 ... +55			
Operating condition	-	-	Continuous operation							
Mounting	-	-	vertical, horizontal							
Altitude	-	m	≤ 2000							
Pollution degree	-	-	3							
Overvoltage category	-	-	III				III			

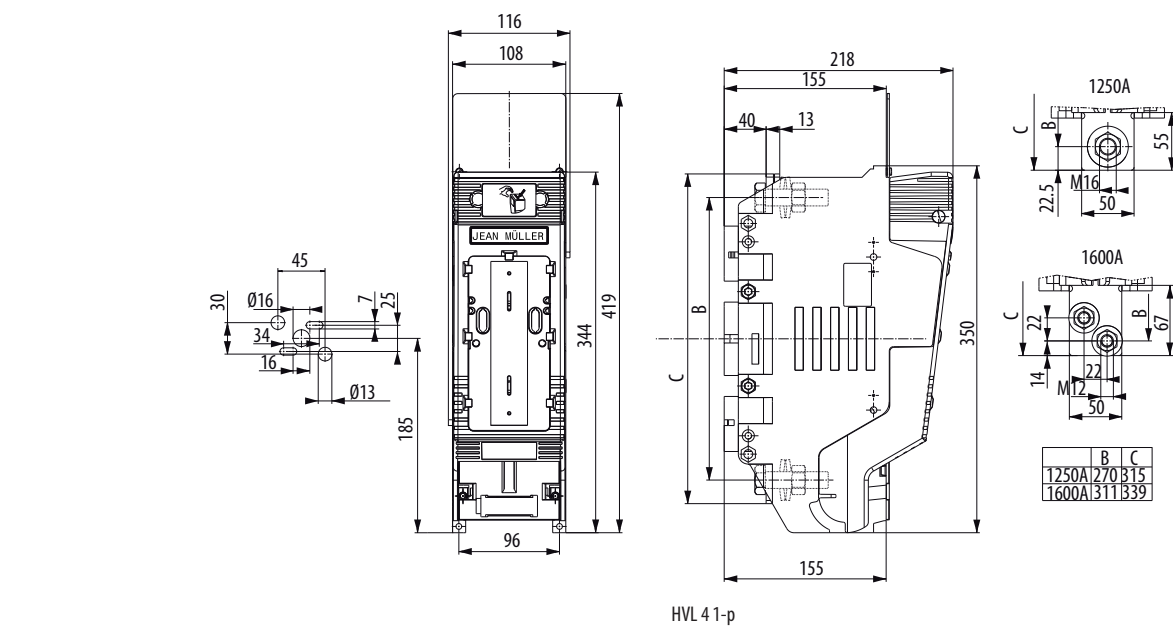
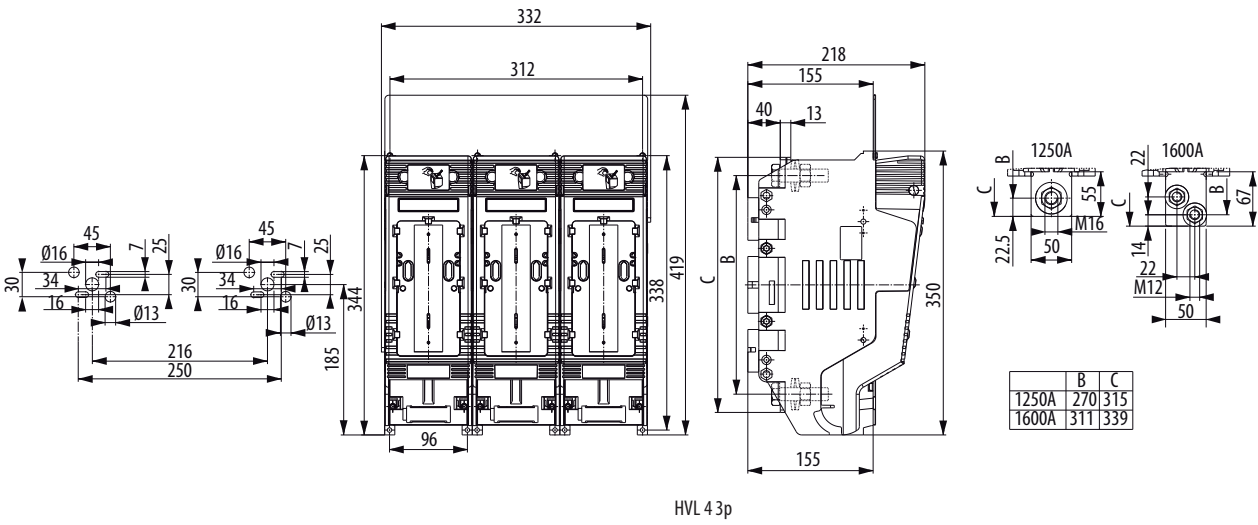
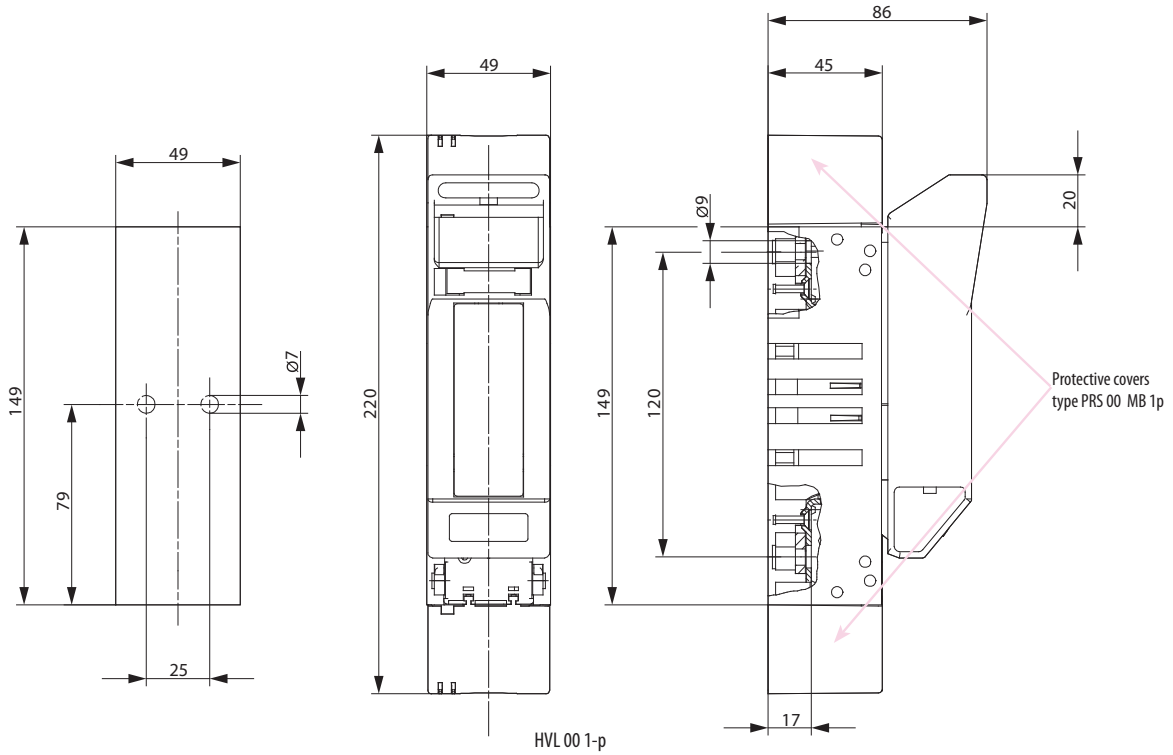
Technical data (in accordance with IEC/EN 60947-3)										
Technical Specifications			Size 2				Size 3			
<b>Technical Characteristics</b>										
Rated operational voltage	$U_e$	V	500 AC	690 AC	220 DC	440 DC	500 AC	690 AC	220 DC	440 DC
Rated operational current	$I_e$	A	400	315	400	315	630	500	630	500
Rated frequency	-	Hz	40-60	40-60	-	-	40-60	40-60	-	-
Rated insulation voltage	$U_i$	V	800 AC				800 AC			
Total power loss (without fuse)	$P_v$	W	27				52			
Utilisation category	-	-	AC22B	AC22B	DC22B	DC21B	AC22B	AC22B	DC22B	DC21B
<b>Fuse links</b>										
Size - DIN 43 620, IEC 6269-2	-	-	2				3			
Max. rated current (gG/gL)	$I_n$	A	400	315	400	315	630	500	630	500
Max. permissible power lose per fuse link	$P_v$	W	34				48			
Screw	-	-	M10				M10			
Torque	$M_a$	Nm	30-35				30-35			
Clamp	-	mm <sup>2</sup>	25-240				25-240			
Torque	$M_a$	Nm	23				23			
<b>Protection</b>										
Front cover close	-	-	IP20				IP20			
Front cover open	-	-	IP10				IP10			
<b>Operating condition</b>										
Ambient temperature	$T_u$	°C	-25 ... +55				-25 ... +55			
Operating condition	-	-	Continuous operation							
Mounting	-	-	vertical, horizontal							
Altitude	-	m	≤ 2000							
Pollution degree	-	-	3							
Overvoltage category	-	-	III				III			

Technical data (in accordance with IEC/EN 60947-3)			
Technical Specifications		Size 4a/1250	Size 4a/1600
<b>Technical Characteristics</b>			
Rated operational voltage	$U_e$	V	690 AC
Rated operational current	$I_e$	A	1250
Rated frequency	-	Hz	40-60
Rated insulation voltage	$U_i$	V	AC800
Total power loss (without fuse)	$P_v$	W	32
Utilisation category	-	-	AC22B (500V/1250A) AC21B (690V/1000A)
<b>Fuse links</b>			
Size - DIN 43 620, IEC 6269-2	-	-	4a
Max. permissible power lose per fuse link	$P_v$	W	110
Screw	-	-	1xM16
Torque	$M_a$	Nm	50-60
<b>Protection</b>			
Front cover close	-	-	IP20
Front cover open	-	-	IP10
<b>Operating condition</b>			
Ambient temperature	$T_u$	°C	-25 ... +55
Operating condition	-	-	Continuous operation
Mounting	-	-	vertical, horizontal
Altitude	-	m	≤ 2000
Pollution degree	-	-	3
Overvoltage category	-	-	III



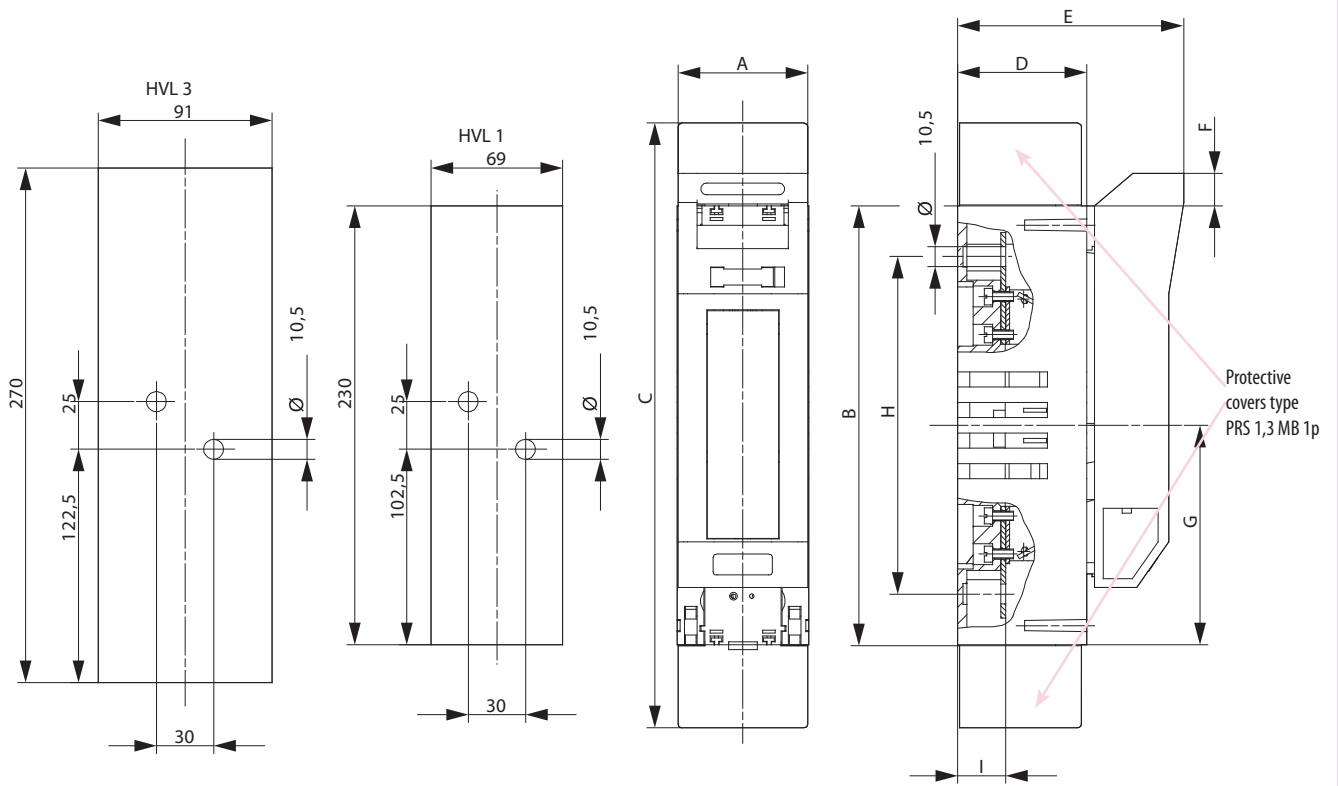
	A	B	C	D	E	F	G	H	I	K	L	L1
HVL00 3p	105,5	149	220	45	86	20,5	74,5	120	17	33	116	126
HVL1 3p	184	230	317	68	119	16,5	115	177	25	58	149	159
HVL2 3p	210	256	397	81	133	16,5	128	205	25	66	163	173
HVL3 3p	254	270	430	96	147	9	135	220,5	30,5	82	177	187

HVL 00,1,2,3 - 3p



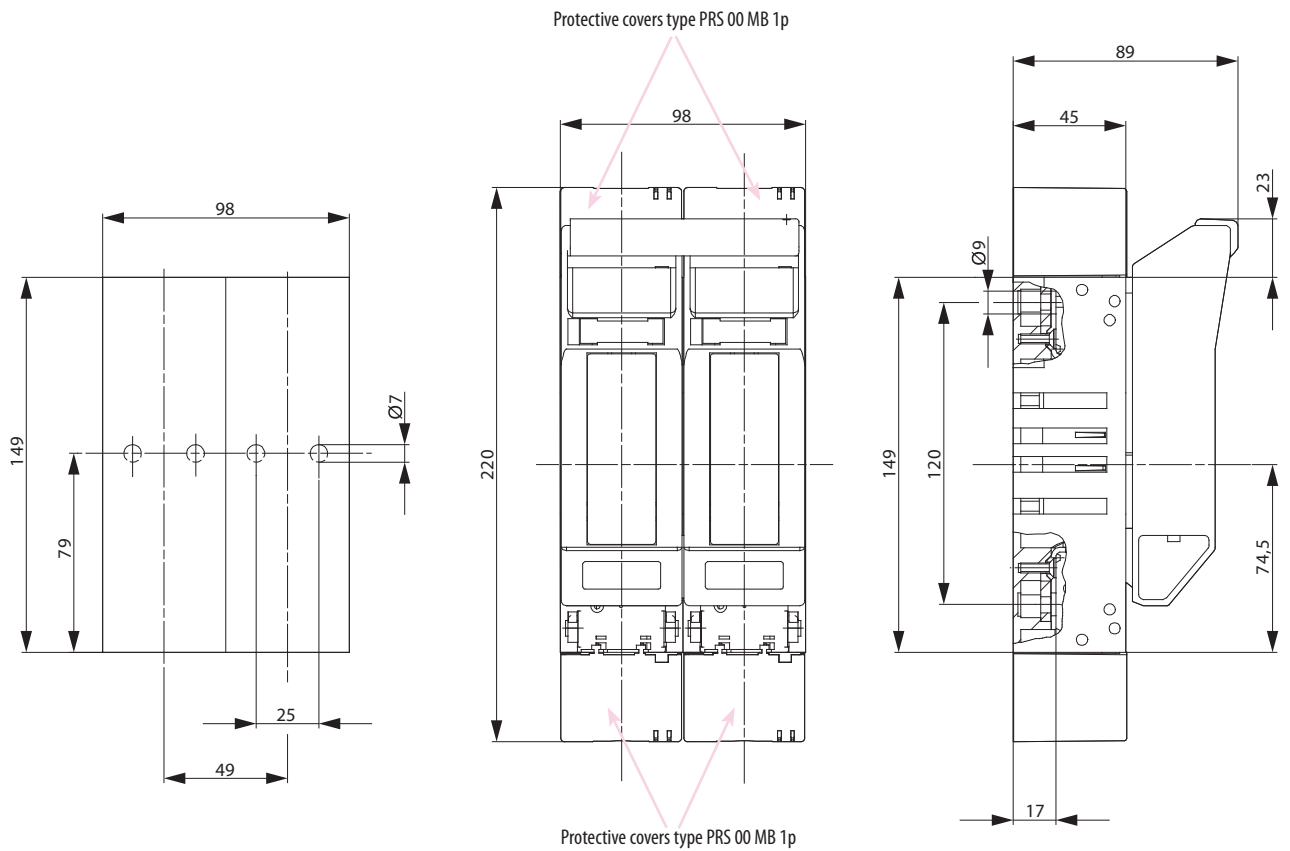
NV/NH

Technical data

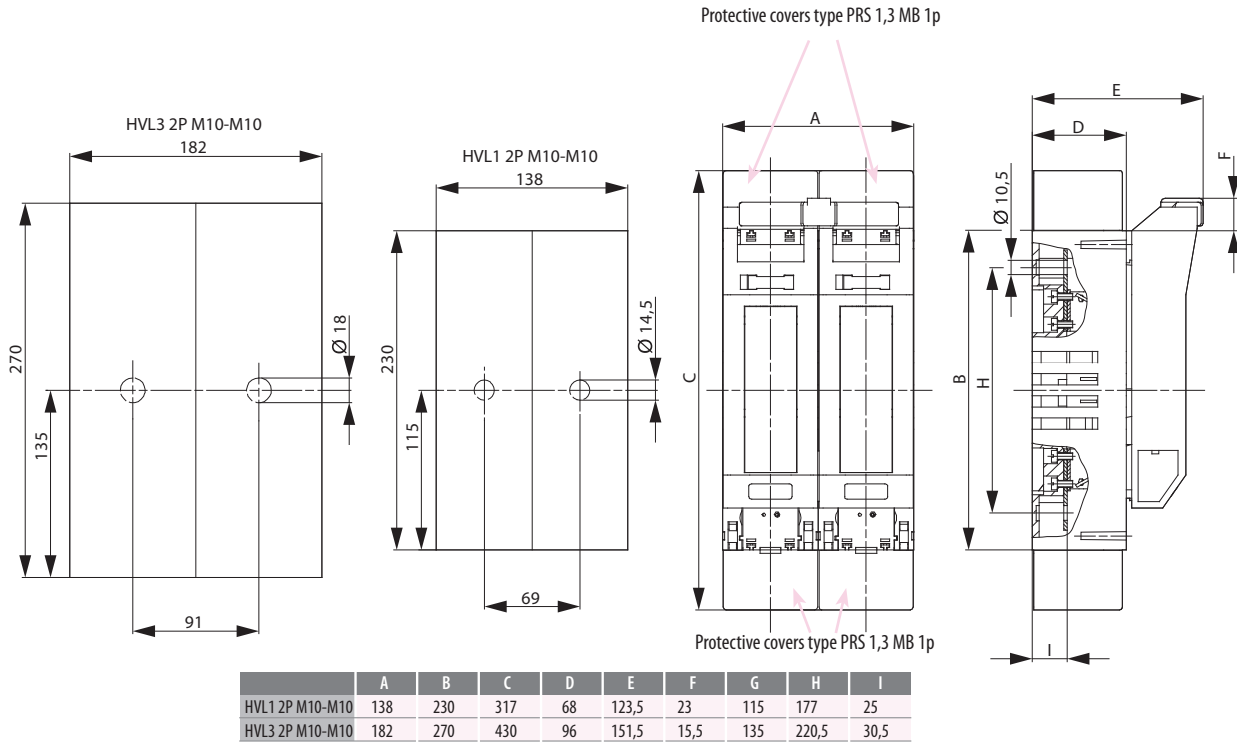


	A	B	C	D	E	F	G	H	I
HVL 1	69	230	317	68	119	16,5	115	177	25
HVL 3	91	270	430	96	147	9	135	220,5	30,5

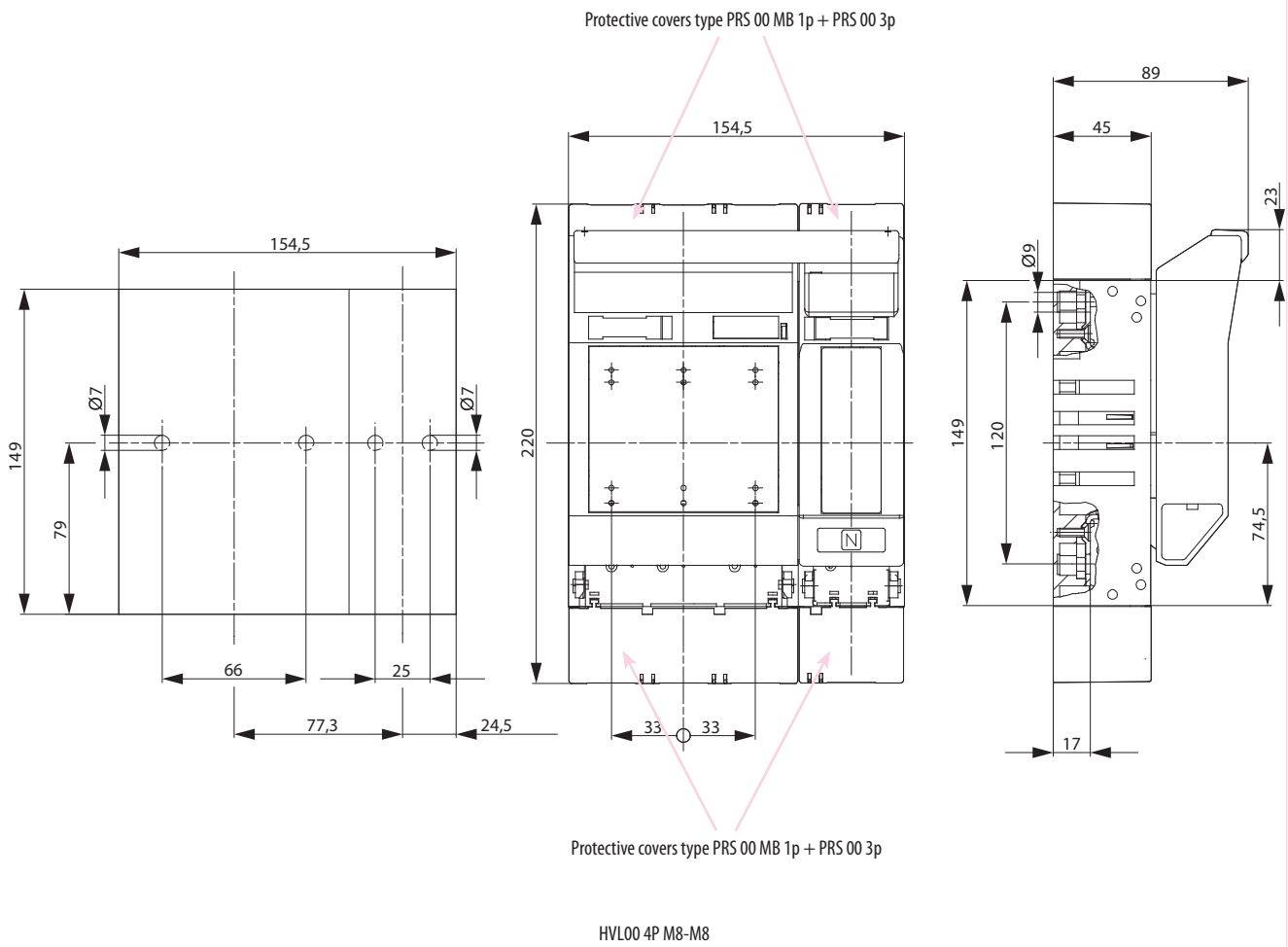
HVL 1 & HVL 3



HVL00 2P M8-M8

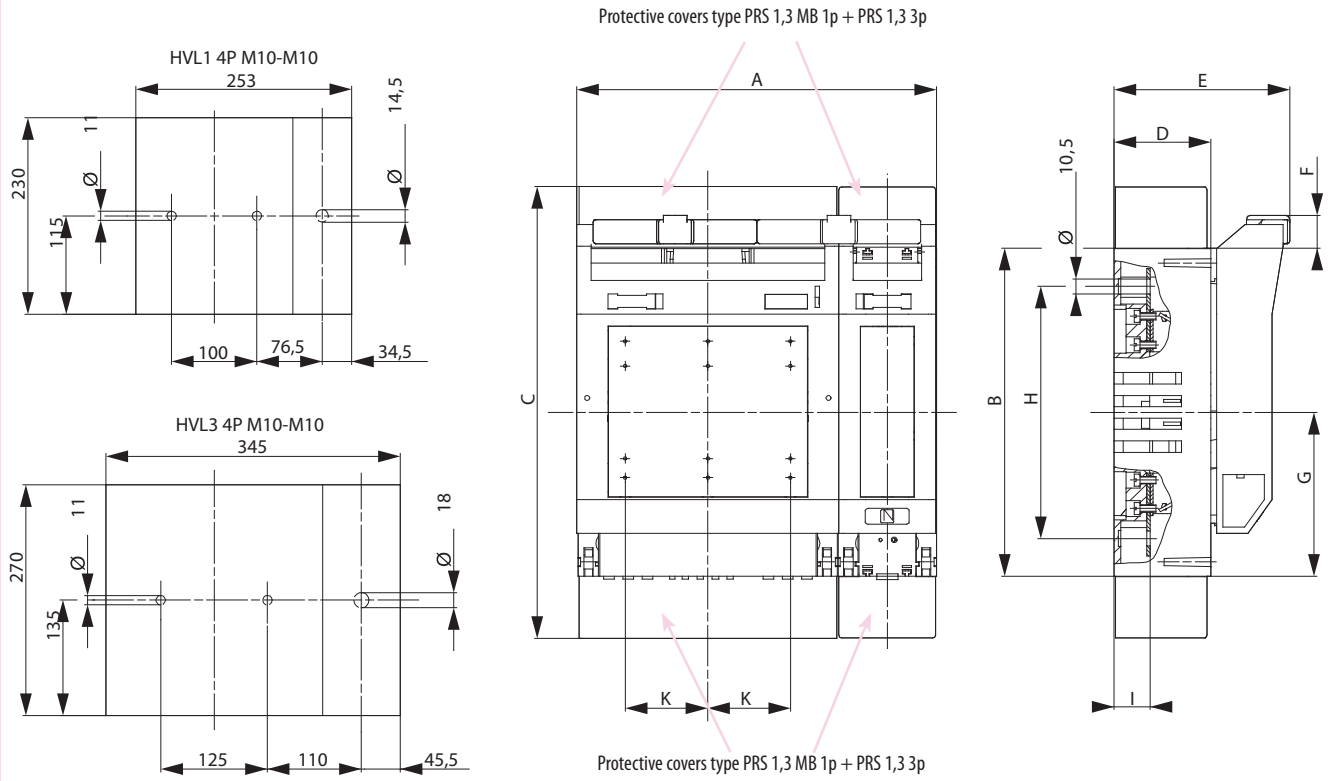


HVL1, 3 2P M10-M10



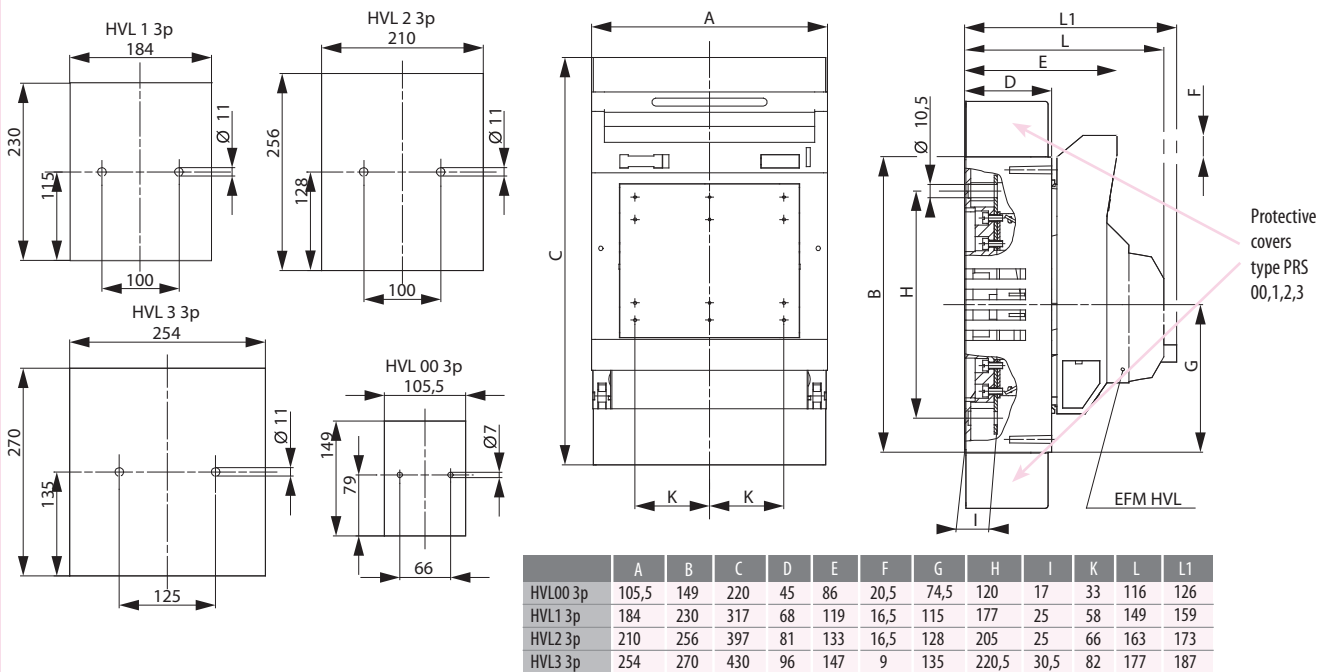
NV/NH

### Technical data



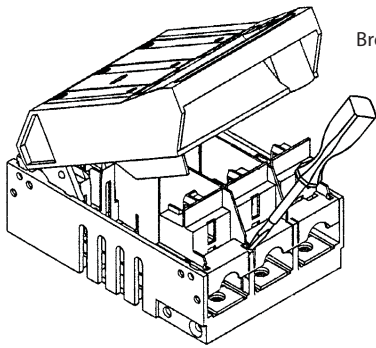
	A	B	C	D	E	F	G	H	I	K
HVL1 4P M10-M10	253	230	317	68	123,5	23	115	177	25	58
HVL3 4P M10-M10	345	270	430	96	151,5	15,5	135	220,5	30,5	82

### HVL1, 3 4P M10-M10

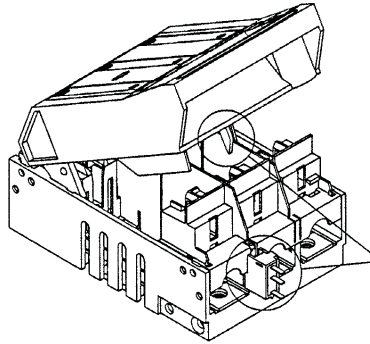


	A	B	C	D	E	F	G	H	I	K	L	L1
HVL00 3p	105,5	149	220	45	86	20,5	74,5	120	17	33	116	126
HVL1 3p	184	230	317	68	119	16,5	115	177	25	58	149	159
HVL2 3p	210	256	397	81	133	16,5	128	205	25	66	163	173
HVL3 3p	254	270	430	96	147	9	135	220,5	30,5	82	177	187

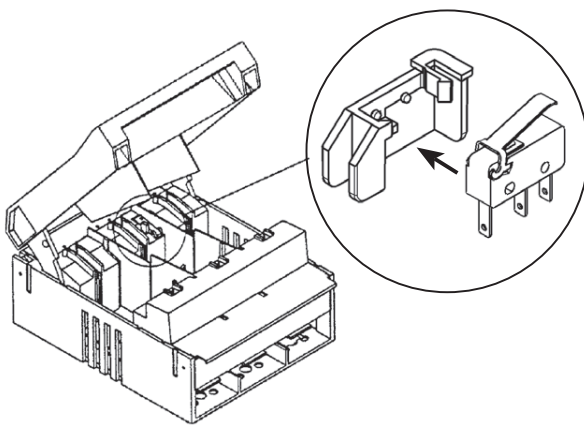
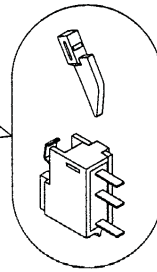
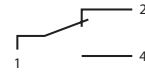
### HVL 00, 1, 3 – 3p EFM



Break off the part on the top protective cover



5A / AC 250V  
0,35A / DC 110V  
0,1A / DC 250V



5A / AC 250V  
0,35A / DC 110V  
0,1A / DC 250V

