



ETI Elektroelement d.o.o.

Obrezija 5

1411 Izlake

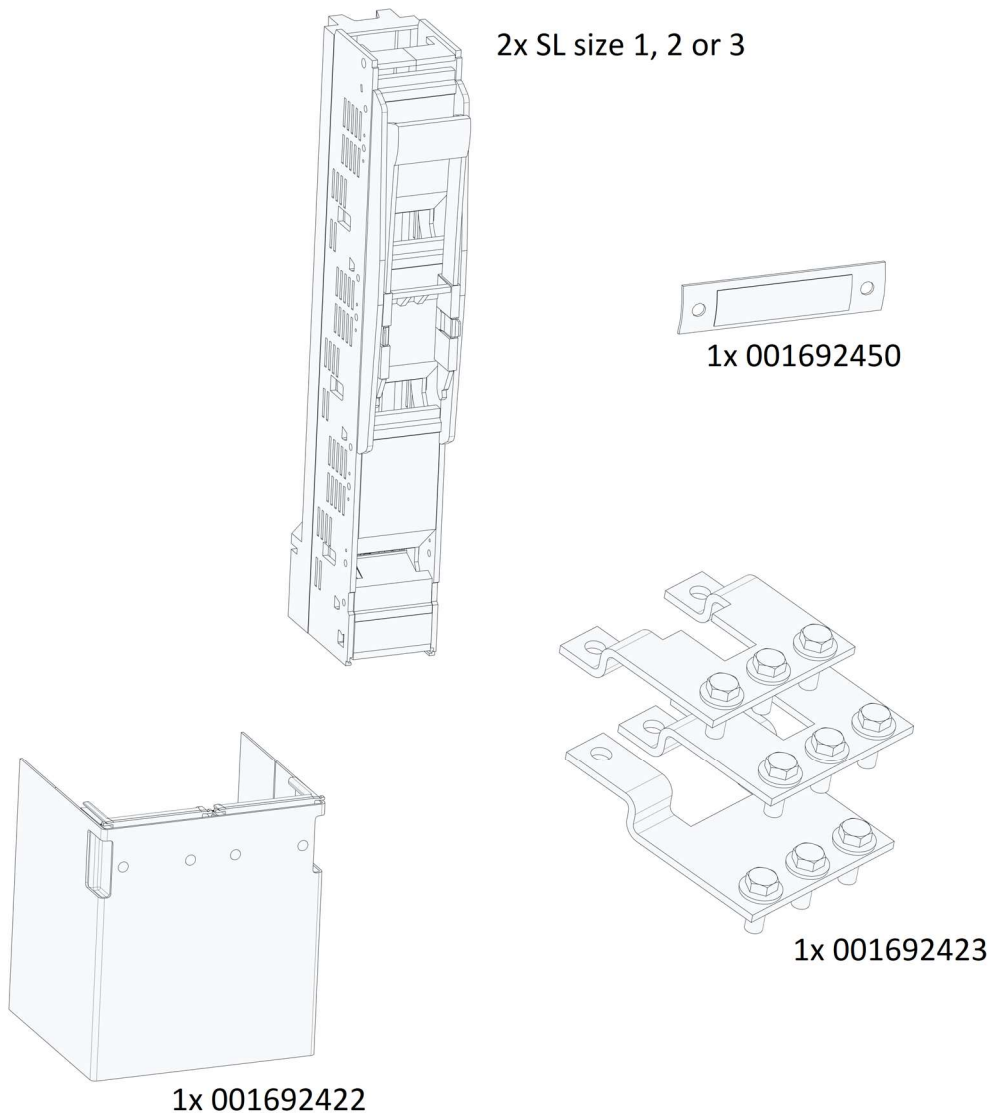
Slovenia

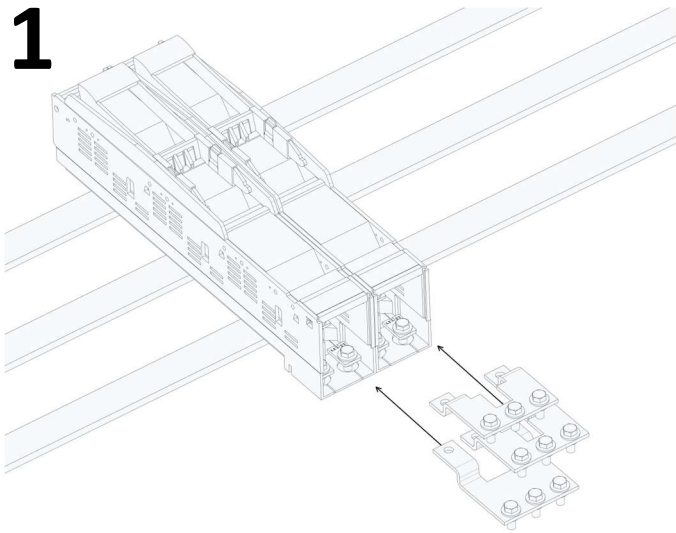
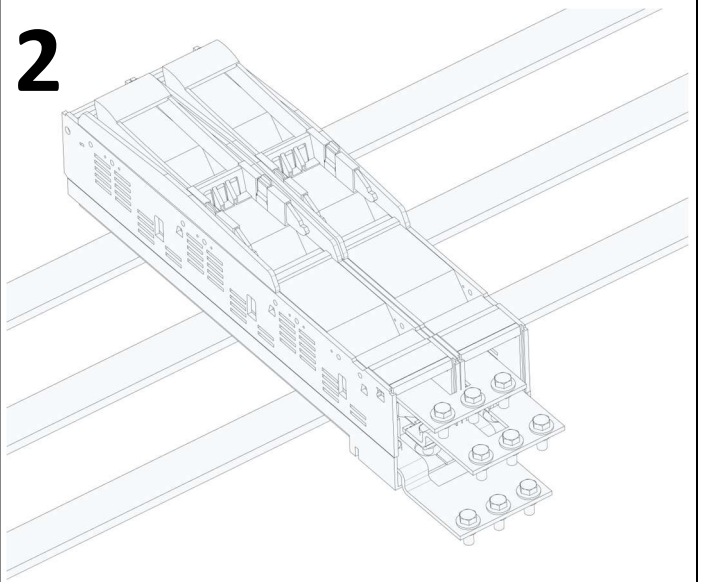
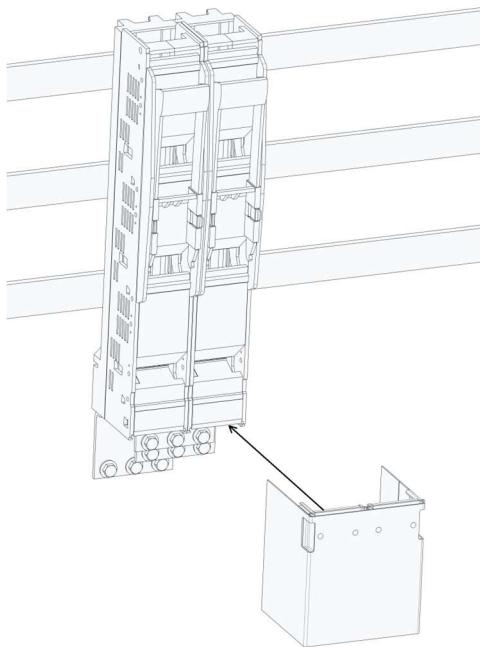
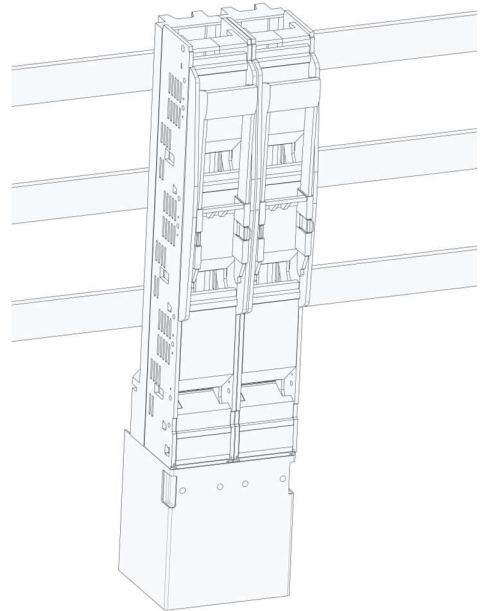
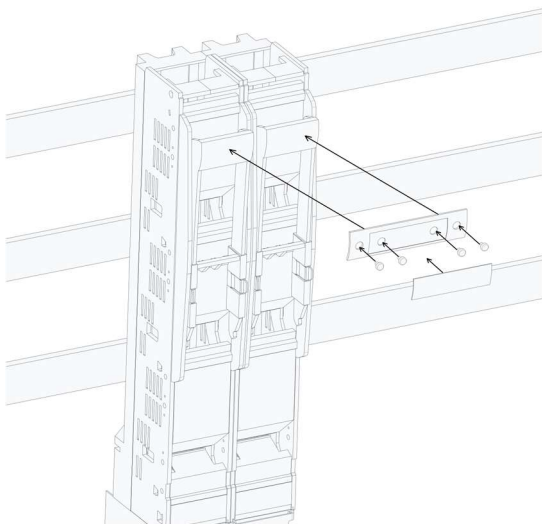
Instruction manual: Connection of two parallel connected fuse-switch disconnectors (SL size 1, 2 or 3)

- Accessories required:

Description	Type	Code No.	Quantity
double connection	DP 3x2 (6)	001692450	1
double protection cover	ZP 3x2/10HA	001692422	1
double terminal connections	SPD 2x3 3x300*	001692423	1

* for connection of 240 mm² cable please contact us at support@eti.si



1**2****3****4****5****6**