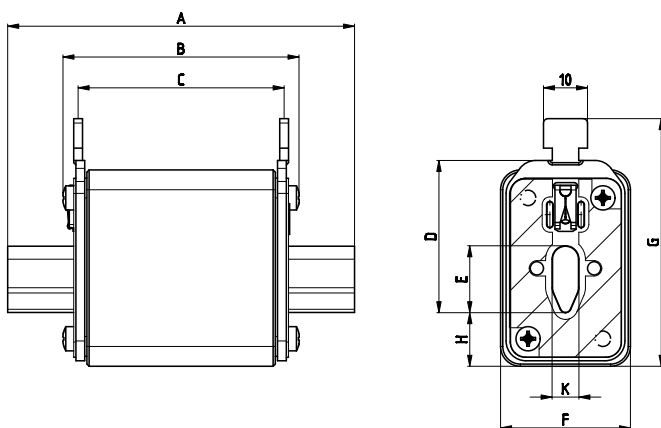


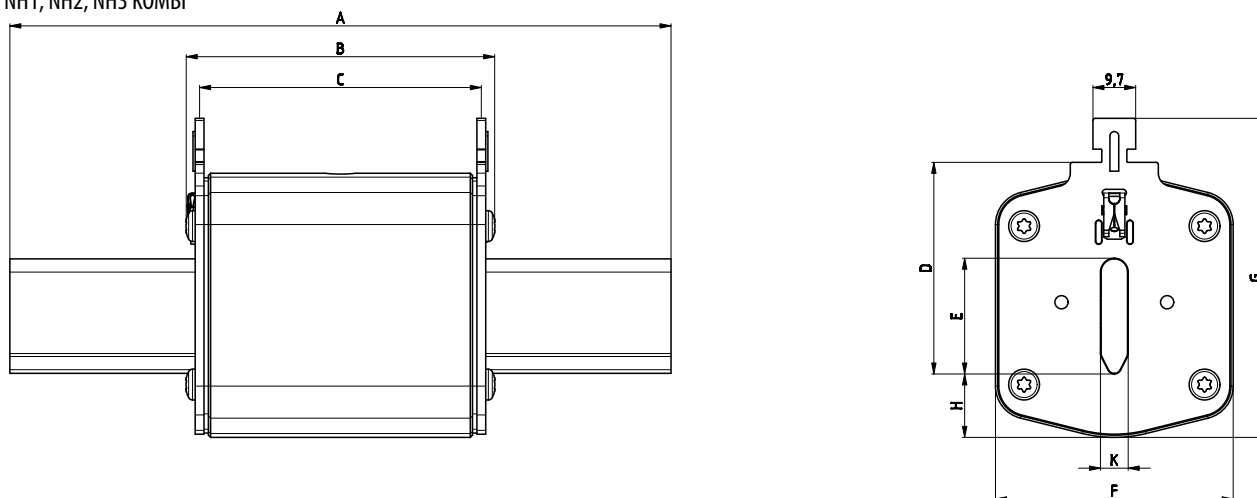
Size	Dimensions [mm]								
	A	B	C	D	E	F	G	H	K
00	79	53	47	35	15	28	56	12	6
1	135	72	65	40	20	46	65	14	6
2	150	72	65	48	26	54	73	14	6
3C	150	72	65	60	26	54	84	14	6
3	150	72	65	60	33	65	84	14	6
3*	150	74	70	60	37	73	87	13	6

*Top visual indicator

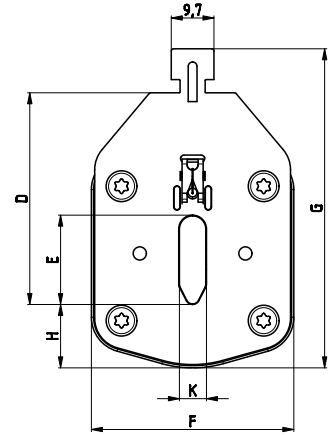
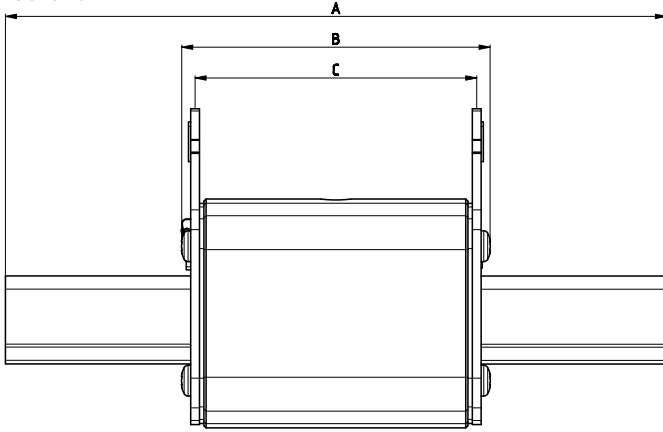
NH00 KOMBI



NH1, NH2, NH3 KOMBI



NH3C KOMBI



NH3 with top visual indicator

